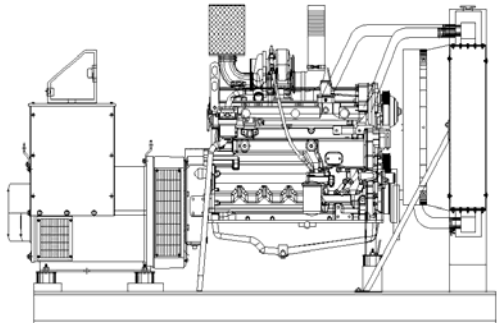




MAQUINARIA IGSA POWER GENERATION SYSTEMS



MODEL: GSJD10150M
DIESEL ENGINE: JOHN DEERE
MODEL: 6068HF150, TIER 1
CAPACITY: 150 kW; 1800 RPM

RATINGS RANGE

PRIME hp (kW)	STANDBY hp (kW)
186-195 (139-146)	209-218 (156-163)

Note: Gross power guaranteed within + or - 5%
ISO 3046 conditions:
77°F (25°C) Air inlet temperature
29.31 in.Hg(99KPa) Barometer
104 °F (40°C) fuel inlet temperature
0.853 fuel specific gravity @ 60°F (15.5 °C)

STANDARD FEATURES

Complete system designed and built at ISO9001 certified facility

- Factory tested to design specifications at full load conditions.
- Fully engineered with a range of options and accessories.

1 IGSA Genset's are composed of 6 cylinders and four strokes diesel engine for industrial stationary applications. Those equipments are fully factory tested using a resistive load. (1) Hour ramp 100% load test.

2 The controls and accessories are selected to work together to achieve the

maximum operational performance and security.

3 Exhaust gases silencer, and a section of flexible tube for connection purposes.

4 Engine **JOHN DEERE, 6068HF150, TIER1.**

5 Marathon or Stamford Alternator.

6 Radiator.

7 Control MEC 310 (panel USC300).

8 Base of structural steel.

General Features

- IGSA GENSET of, **150 kW to 208V, 380V, 440V, 480V**, 3 Phase, 4 Wire, 60 Hertz, is composed by an internal engine four strokes coupling with the alternator, controls and accessories totally assembled and tested in factory.
- The controls and accessories of the Genset are selected to provide the maximum in efficiency and Security.
- The generator set its components are tested factory-built, and production-tested.
- The genset engine is certified by the Environmental Protection Agency (EPA) to conform to Tier 1 nonroad emissions regulations.



WE ARE THE BEST IN MANUFACTURING THE POWER GENERATION SYSTEMS AND ADDITION CONSTANTLY INOVATION.

www.igsa.com.mx
All rights reserved.
Printed in MEXICO

ENGINE SPECIFICATION DATA MODEL 6068HF150 weight 569 kg (1250Lb)

General Data		
Model	6068HF150	
Number of Cylinders	6	
Bore and Stroke--in.(mm)	4.19 x 5 (106 x 127)	
Displacement--in. ³ (L)	414 (6.8)	
Compression Ratio	17.0 : 1	
Valves per Cylinder--Intake/Exhaust	1 / 1	
Firing Order	1 - 5 - 3 - 6 - 2 - 4	
Combustion System	Direct Injection	
Engine Type	In-line, 4-Cycle	
Aspiration	Turbocharged	
Engine Crankcase Vent System	Open	
Maximum Crankcase Pressure--in.H2O (kPa)	2 (0.5)	
Physical Data		
Length--in.(mm)	44.9 (1141)	
Width--in.(mm)	24.5 (623)	
Height--in.(mm)	39.7 (109)	
Weight, dry--lb (kg) (Includes SAE 4 flywheel housing, RE28119 flywheel, starter and electrics.)	1250 (569)	
Center of Gravity Location		
From Rear Face of Block (X-axis)--in.(mm)	17.2 (438)	
Right of Crankshaft (Y-axis)--in.(mm)	0.05 (1)	
Above Crankshaft (Z-axis)--in.(mm)	6.2 (157)	
Max. Allow. Static Bending Moment at Rear Face of Flywhl Hsg w/ 5-G Load--lb-ft (N•m)	600 (814)	
Thrust Bearing Load Limit (Forward)		
Continuous--lb (N)	500 (2224)	
Intermittent--lb (N)	900 (4003)	
Performance Data		
	Prime	Standby
Rated Power--hp (kW)	225 (168)	251 (187)
Rated Speed--rpm	1800	1800
Low Idle Speed--rpm	1400	1400
BMEP--psi (kPa)	239 (1650)	266 (1837)
Friction Power		
At Rated Speed--hp (kW)	23 (17)	23 (17)
Altitude Capability--ft (m)	7500 (2300)	5000 (1500)
Ratio--Air : Fuel.	22.6:1	21.7:1
Noise--dB(A) @ 1 m	N/A	N/A
Air System		
	Prime	Standby
Maximum Allowable Temp Rise--Ambient Air to Engine Inlet--°F (°C)	15 (8)	15 (8)
Maximum Air Intake Restriction		
Dirty Air Cleaner--in.H2O (kPa)	25 (6.25)	25 (6.25)
Clean Air Cleaner--in.H2O (kPa)	12 (3)	12 (3)
Engine Air Flow--ft ³ /min (m ³ /min)	413 (11.7)	441 (12.5)
Intake Manifold Pressure--psi (kPa)	20.3 (140)	22.6 (156)
Rec'd. Intake Pipe Dia--in.(mm)	3 (76.2)	3 (76.2)
Compress Discharge Temp °F (°C)	307 (153)	334 (168)
Max. press. Drop through Charge Air Cooler	52 (13)	52 (13)
Max. Temp. Out of Charge Air Cooler @ 77 °F (25°C) Ambient Air °F (°C)	140 (60)	140 (60)

Electrical System			
Recommended Battery Capacity (CCA)			
12 Volt System--amp			800
24 Volt System--amp			570
Maximum Allowable Starting Circuit Resistane			
12 Volt System--Ohm			0.0012
24 Volt System--Ohm			0.002
Starter Rolling Current -- 12 Volt System			
At 32 F (0 C) -- amp			920
At -22 F (-30 C) -- amp			1300
Starter Rolling Current -- 12 Volt System			
At 32 F (0 C) -- amp			600
At -22 F (-30 C) -- amp			700
Lubrication System		Prime	Standby
Oil Pressure at Rated Speed--psi (kPa)		50 (345)	50 (345)
Oil Pressure at Low Idle--psi (kPa)		15 (105)	15 (105)
In Pan Oil Temperature--°F (°C)		250 (121)	252 (122)
Oil Pan Capacity, High--qt (L)		25 (23.9)	25 (23.9)
Oil Pan Capacity, Low--qt (L)		24 (22.7)	24 (22.7)
Total Engine Oil Capacity			
With Filters--qt (L)		26 (24.6)	26 (24.6)
Engie Angularity Limits			
(Continuous) Any Direction--degrees		20	20
Exhaust System		Prime	Standby
Exhaust Flow--ft ³ /min (m ³ /min)		1112(31.5)	1201(34)
Exhaust Temperature--°F (°C)		1024 (551)	1056 (569)
Max. Allow. Back Press.--in.H2O (kPa)		30 (7.5)	30 (7.5)
Recm'd Exhaust Pipe Dia--in.(mm)		4 (101.6)	4 (101.6)
Cooling System		Prime	Standby
Engine Heat Reject.--BTU/min (kW)		4040 (71)	4438 (78)
Coolant Flow--gal/min (L/min)		46 (174)	46 (174)
Thermostat Start to Open--°F (°C)		180 (82)	180 (82)
Thermostat Fully Open--°F (°C)		202 (94)	202 (94)
Maximum Water Pump			
Inlet Restriction--in.H2O (kPa)		27 (7)	27 (7)
Engine Coolant Capacity--qt (L)		12 (11.3)	12 (11.3)
Recm'd Pressure Cap--psi (kPa)		10 (69)	10 (169)
Maximum Top Tank Temp--°F (°C)		221 (105)	221 (1105)
Min. Coolant Fill Rate--gal/min (L/min)		3 (11)	3 (11)
Min. Air-to-Boil Temperature--°F (°C)		117 (47)	117 (47)
Fuel System		Prime	Standby
Fuel Injection Pump		Stanadyne	Stanadyne
Governor Regulation		5%	5%
Governor Type		Mechanical	Mechanical
Fuel Consumption--lb/hr (kg/hr)		78.3 (35.6)	86.5 (39.3)
Total Fuel Flow--lb/hr (kg/hr)		212 (96)	212 (96)
Maximum Fuel Transfer Pump Suction ft (m) fuel		3 (0.9)	3 (0.9)
Fuel Filter Micron Size @ 98 % Efficiency		8	8
Fuel Consumption -- lb/hr (kg/hr)		Prime	Standby
25 % Power		21.1 (9.6)	23.1 (10.5)
50 % Power		39.4 (17.9)	44.0 (20.0)
75 % Power		59.8 (27.2)	66.7 (30.3)
100 % Power		78.3 (35.6)	86.5 (39.3)



**WE ARE THE BEST IN MANUFACTURING THE POWER GENERATION
SYSTEMS AND ADDITION CONSTANTLY INOVATION.**

www.iqsa.com.mx
All rights reserved.
Printed in MEXICO

MARATHON ELECTRIC ALTERNATOR MODEL 431PSL6202

Weight 553 kg (1220Lb)

Kilowatt ratings at		1800 RPM			60 Hertz			12 Leads standard 3 phase		
kW (kVA)		3 Phase			0.8 Power Factor			Dripproof or Open Enclosure		
Voltage	Class B		Class F				Class H			
	80° C, 176°F (1)	90° C, 194°F (1)	95° C, 203°F (1)	105° C † British	105° C, 221°F (1)	130° C, 266°F (1)	125° C † British	125° C, 257°F (1)	150° C, 302°F (1)	
	Continuous	Lloyds	ABS	Standard	Continuous	Standby	Standard	Continuous	Standby	
480/480	125 (156)	131 (164)	135 (169)	142 (178)	142 (178)	155 (194)	145 (181)	151 (189)	160 (200)	
230/460	125 (156)	132 (165)	136 (170)	143 (179)	143 (179)	155 (194)	145 (181)	152 (190)	160 (200)	
220/440	125 (156)	132 (165)	136 (170)	143 (179)	143 (179)	153 (191)	145 (181)	151 (189)	160 (200)	
208/416	125 (156)	130 (163)	133 (166)	140 (175)	140 (175)	151 (189)	141 (176)	147 (184)	155 (194)	
190/380	115 (144)	120 (150)	123 (154)	130 (163)	130 (163)	140 (175)	132 (165)	135 (169)	145 (181)	

(1) Rise by resistance method, Mil-Std-705, Method 680.1b.

† Rating per BS 5000.

Submittal Data: 480 Volts, 124.8 kw, 156 kVA, 0.8 P.F., 1800 RPM, 60 Hz, 3 Phase					
Mil-Std-705C			Mil-Std-705C		
Method	Description	Value	Method	Description	Value
301.1b	Insulation Resistance	> 1.5 Meg	505.3b	Overspeed	2250 RPM
302.1a	High Potential Test		507.1c	Phase Sequence CCW-ODE	ABC
	Main Stator	2000 Volts	508.1c	Voltage Balance L-L OR L-N	0.20%
	Main Rotor	1500 Volts	601.4a	L-L Harmonic Maximum - Total	5%
	Exciter Stator	1500 Volts		(Distortion Factor)	
	Exciter Rotor	1500 Volts	601.4a	L-L Harmonic Maximum - Single	3.0%
401.1a	Stator Resistance, Line to Line		601.1c	Deviation Factor	5.0%
	High Wye Connection	0.0718 Ohms	--	TIF (1960 Weightings)	<50
	Rotor Resistance	0.598 Ohms	625.1c	Mechanical Strength (High Wye	
	Exciter Stator	18.5 Ohms		Connection, Sustained 3 Phase)	
	Exciter Rotor	0.116 Ohms		Short Circuit Current)	<300%
410.1a	No Load Exciter Field Amps		652.1a	Shaft Current	<0.1 ma
	at 240/480 Volts Line to Line	0.6 A DC	652.1a	Main Stator Capacitance to ground	0.015 mdf
420.1a	Short Circuit Ratio	0.42			
421.1a	Xd Synchronous Reactance	3.08 pu			
422.1a	X2 Negative Sequence	0.258 pu			
423.1a	X0 Zero Sequence Reactance	0.048 pu	--	Generator Frame	431
425.1a	X'd Transient Reactance	0.183 pu	--	Type Ext. Voltage Regulated, Brushless	
426.1a	X''d Subtransient Reactance	0.175 pu	--	Insulation	Class H
427.1a	T'd Transient Short Circuit		--	Coupling - Single Bearing	Flexible
	Time Constant	0.048 sec.	--	Amortisseur Windings	Full
428.1a	T''d Subtransient Short Circuit		--	Exciter	Rotating
	Time Constant	0.005 sec.	--	Voltage Regulator	SE350***
430.1a	T'do Transient Open Circuit		--	Voltage Regulation	1%***
	Time Constant	1.34 sec.	--	Cooling Air Volume	1280 CFM
432.1a	Ta Short Circuit Time		--	Sensing	1 Phase***
	Constant of Armature Winding	0.014 sec.			

* (3) Excitation support system or PMG required to sustain short circuit currents.

* Voltage refers to wye (star) connection, unless otherwise specified.

** Not supplied as standard equipment.

*** DVR@2000 voltage regulator supplied with PMG option. DVR@2000 voltage regulation ¼% 1 or 3 Phase sensing



WE ARE THE BEST IN MANUFACTURING THE POWER GENERATION SYSTEMS AND ADDITION CONSTANTLY INNOVATION.

www.igs.com.mx
All rights reserved.
Printed in MEXICO

STAMFORD ELECTRIC ALTERNATOR MODEL UC1274F weight 530 kg (1168.4 Lb)

CONTROL SYSTEM	SEPARATELY EXCITED BY P.M.G.		
A.V.R.	MX321	MX341	
VOLTAGE REGULATION	(+/- 0.5%)	(+/- 1.0%)	WITH ENGINE GOVERNING
SUSTAINED SHORT CIRCUIT	REFERENT TO SHOT CIRCUIT DECREMENT CURRENT		

INSULATION SYSTEM	CLASS H							
PROTECTION	IP23							
RATED POWER FACTOR	0.8							
STATOR WINDING	DOUBLE LAYER CONCENTRIC							
WINDING PITCH	TWO THIRDS							
WINDING LEADS	12							
STATOR WDG. RESISTANCE	0.024 Ohms PER PHASE AT 22°C SERIES STAR CONNECTED							
ROTOR WDG. RESISTANCE	1.52 Ohms at 22°C (71.6°F)							
R.F.I. SUPPRESSION	BS EN 61000-6-2 & BS EN 61000-6-4, VDE 0875G, VDE 0875N. refer to factory for others							
WAVEFORM DISTORTION	NO LOAD < 1.5% NON-DISTORTING BALANCED LINEAR LOAD < 5.0%							
MAXIMUM OVERSPEED	2250 Rev/Min							
BEARING DRIVE END	BALL. 6315 - 2RS. (ISO)							
BEARING NON-DRIVE END	BALL. 6310 - 2RS. (ISO)							
	1 BEARING				2 BEARING			
WEIGHT COMP. GENERATOR	530 kg	1168.4 lb			545 kg	1201.5 lb		
WEIGHT WOUND STATOR	200 kg	440.9 lb			200 kg	440.9 lb		
WEIGHT WOUND ROTOR	188.67 Kg	415.9 lb			177.71 kg	391.8 lb		
WR ² INERTIA	1.555 kgm ²	36.9 lbft ²			1.5044 kgm ²	35.7 lbft ²		
SHIPPING WEIGHTS in a crate	563 kg	1241.2 lb			577 kg	1272.1 lb		
PACKING CRATE SIZE	105 x 67 x 103 (cm)	41.3x26.4x40.6(in)			123x 67x 103 (cm)	48.4x26.4x40.6(in)		
TELEPHONE INTERFERENCE	50 Hz				60 Hz			
COOLING AIR	THF<2%				TIF<50			
	0.514 m ³ /sec 1090 cfm				0.617 m ³ /sec 1308 cfm			
VOLTAGE SERIES STAR	380/220	400/231	415/240	440/254	416/240	440/254	460/266	480/277
VOLTAGE PARALLEL STAR	190/110	200/115	208/120	220/127	208/120	220/127	230/133	240/138
VOLTAGE SERIES DELTA	220/110	230/115	240/120	254/127	240/120	254/127	266/133	277/138
KVA BASE RATING FOR	160	160	160	N/A	181.3	190	190	206.3
RECTANCE VALUES								
X _d DIR. AXIS SYNCHRONOUS	2.24	2.02	1.88	-	2.53	2.37	2.17	2.16
X' _d DIR. AXIS TRANSIENT	0.19	0.17	0.16	-	0.21	0.20	0.18	0.18
X'' _d DIR. AXIS SUBTRANSIENT	0.13	0.12	0.11	-	0.14	0.13	0.12	0.12
X _q QUAD. AXIS REACTANCE	1.38	1.25	1.16	-	1.53	1.43	1.31	1.31
X'' _q QUAD. AXIS SUBTRANSIENT	0.17	0.15	0.14	-	0.20	0.19	0.17	0.17
XL LEAKAGE REACTANCE	0.07	0.06	0.06	-	0.09	0.08	0.08	0.08
X ₂ NEGATIVE SEQUENCE	0.14	0.13	0.12	-	0.16	0.15	0.14	0.14
X ₀ ZERO SEQUENCE	0.08	0.08	0.07	-	0.10	0.09	0.09	0.09
REACTANCES ARE SATURATED				VALUES ARE PER UNIT AT RATING AND VOLTAGE INDICATED				
T' _d TRANSIENT TIME CONST.	0.035 s							
T'' _d SUB-TRANSTIME CONST.	0.011 s							
T' _{do} O.C. FIELD TIME CONST.	0.9 s							
T _a ARMATURE TIME CONST.	0.009 s							
SHORT CIRCUIT RATIO	1/X _d							

RATINGS: All three-phase units are rated at 0.8 power factor. All single-phase units are rated at 1.0 power factor. Standby Ratings: Standby ratings apply to installations served by a reliable utility source. The standby rating is applicable to varying loads for the duration of a power outage. There is no overload capability for this rating. Ratings are in accordance with ISO-3046/1, BS5514, AS2789, and DIN 6271. Prime Power Ratings: Prime power ratings apply to installations where utility power is unavailable or unreliable. At varying load, the number of generator set operating hours is unlimited. A 10% overload capacity is available for a 12 hour period. Ratings are in accordance with ISO-8528/1, overload power in accordance with ISO-3046/1, BS 5514, AS 2789, and DIN 6271. For limited running time and base load ratings, consult the factory. The generator set manufacturer reserves the right to change the design or specifications without notice and without any obligation or liability whatsoever. GENERAL GUIDELINES FOR DERATION: Altitude: Derate 1.3% per 100 m (328 ft.) elevation above 1500 m (5000 ft.). Temperature: Derate 1.0% per 10°C (18°F) temperature above 25°C (77°F).



WE ARE THE BEST IN MANUFACTURING THE POWER GENERATION SYSTEMS AND ADDITION CONSTANTLY INOVATION.

www.igs.com.mx
All rights reserved.
Printed in MEXICO

CONTROLLER FOR GENSET: CONTROL MEC 310 PANEL USC300

The Generator Controller MEC 310 is a microprocessor-based control unit containing all necessary functions for protection and control of a power generator. Besides the control and protection of the diesel engine it contains a full 3-phase AC voltage and current measuring circuit. The unit is equipped with an LCD display presenting all values and alarms.



- USC 300C Unit Mount Control Panel, Black Nema 1 enclosure c/w rubber mounts
- MEC 310 Microprocessor Based Engine Generator Controller
- Graphic Display 128 X 64 pixels (STN) Super Twisted Nematic
- Digital AC Metering:
 - 3-Phase Volts (Phase to Phase and Phase to Neutral),
 - 3-Phase Amps
 - Frequency
 - kW, kVAR, KVA, pF, kWhr
- AC Protective Relaying:
 - 27/59 Under/Over Voltage
 - 32 Reverse Power
 - 51 Time Overcurrent
 - 81 O/U Under/Over Frequency
- Digital gauge display:
 - Oil Pressure (sender required by others)
 - Coolant Temperature (sender required by others)
 - Fuel Level (sender required by others)
 - Hourmeter
 - Tachometer
- 5 digital inputs for alarms / shutdowns
- Dedicated Output Contacts - Engine Crank; Run (30 VDC / 6 Amps)
- Three Programmable Output Contacts (30 VDC / 1 Amps)
- Event Logging (30 events)
- Pushbuttons:
 - Emergency Stop
 - Manual Start and Stop
 - Manual/Auto/Test
 - Lamp Test
 - Horn Silence
- Indicating Lights:
 - Common Alarm
 - Generator Ready (Voltage and Frequency Normal)

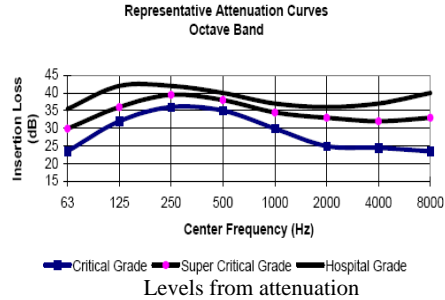
FEATURES

- Electrical Rating:**
- Single or three phase, 600VAC maximum, 50/60HZ, 4 wire
 - 12 or 24Vdc (nominal) supply, negative ground.
 - Dedicated Output Contacts - Engine Crank; Run (30 VDC / 6 Amps)
 - Three Programmable Output Contacts (30 VDC / 1 Amps)
- Enclosure:**
- Black Nema 1 enclosure c/w rubber mounts
- Engine Senders:**
- Oil pressure (1/8" NPT), Temperature (1/4"NPT) (Supplied loose for engine mounting).
- Requirements:**
- Exceeds requirements of CSA 282 and NFPA 110 Level

OPTIONAL SILENCER ACCORDING TO THE APPLICATION

Silencer with different levels from attenuation

- Critical Grade
- Super Critical Grade
- Hospital Grade



DOCUMENTATION AND OTHERS

- Manual of operation and maintenance
- Spare parts
- Maintenance
- Consulting

MISCELLANEOUS EQUIPMENT

- Batteries of 12 VDC with cables for battery connection with the Engine.

GENSET OPTIONS

Control Panel

USC 300C Control Panel is standard on all units see page 4 of spec sheet for standard features.

Another Type _____

Fuel system

- Fuel Water Separator
- Day tank
- Auxiliary fuel pump
- Sub Base mounted Fuel Tank
 - Single Wall
 - Double Wall
 - UL listed
 - 150 L (39.6 gal)
 - 250 L (66 gal)

Diesel Fuel Tank

- 500 L (132 gal)
- 1000 L (264.1 gal)
- 5000 L (1320.8 gal)

Exhaust System

- Critical Grade
- Super Critical Grade
- Hospital Grade

Engine Electrical system

- Battery
 - Lead-Acid
 - NiCad
- Battery Rack
- Battery Charger Automatic

Generator

- Breaker in the alternator

OPTIONAL ACCESSORIES AVAILABLE FOR THE EQUIPMENT

Vibration isolation

- Rigid Spring Mounting
- Resilient Mounting

Filters

- Air Filter for Medium Dust Environments
- Air Filter of Heavy Dust Environments

Drain

- Oil drain Extension

Enclosures

- Sound Attenuated
- Weather Proof
- Stainless steel cover
- Trailer Mounting
- Interior lights Ac or DC

Heaters

- Jacket Water Heater
- Crankcase Oil Heater

Insulation Blankets

- Features:
(Temperature to 1260°C (2300°F), Non-Combustible, Highly Resistant to Vibration, Oil, Fuel, Grease, and Moisture Resistant Exterior, Personal Protection

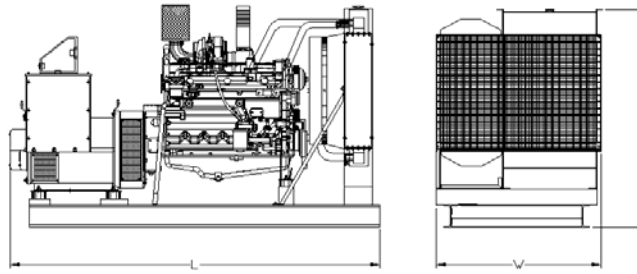
Notes



WE ARE THE BEST IN MANUFACTURING THE POWER GENERATION SYSTEMS AND ADDITION CONSTANTLY INOVATION.

www.usca.com.mx
All rights reserved.
Printed in MEXICO

DIMENSIONS



LENGTH	WIDTH	HEIGHT
mm (in)	mm (in)	mm (in)
2500 (98)	1000 (39)	1600 (63)

NOTE: General configuration not to be used for installation. See general dimension drawing for detail.

SERVICES

- Development of the project.
- Development of engineering.
- Equipment's Installation
- Engineering for special applications.
- Synchronies with utility network or more Gensets.
- Attention and technical support

INSTALLATION OPTIONS OF THE GENSET

- On-Site
- Acoustic Enclosure
- ISO Container
- Trailer

